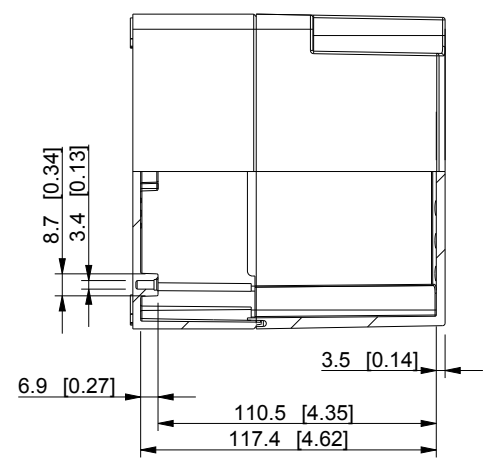
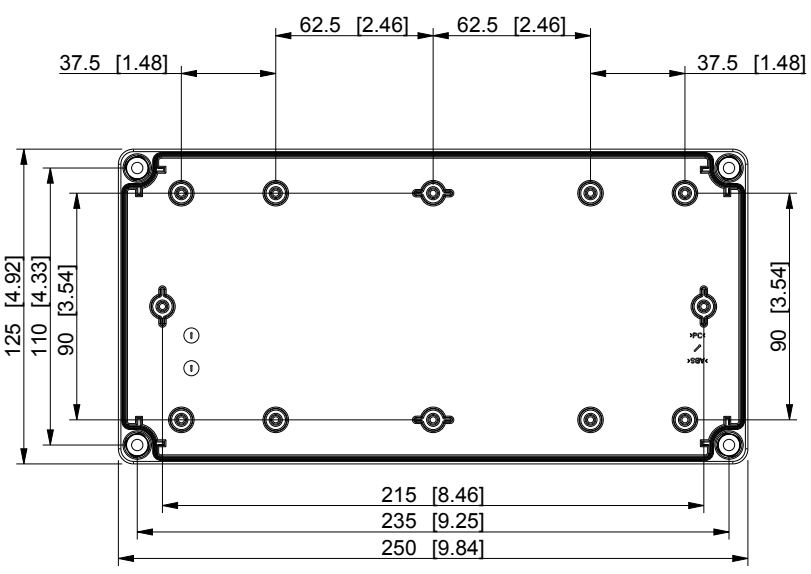
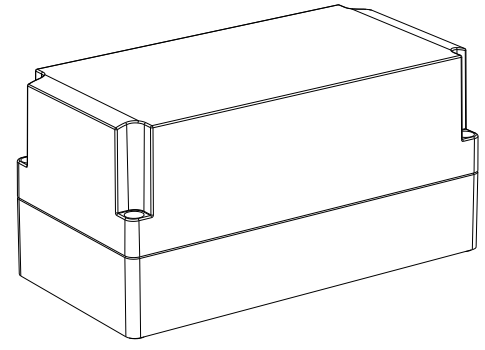
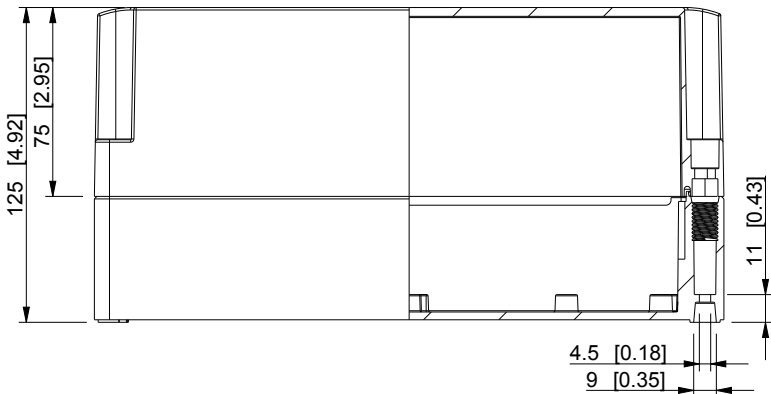


| ID | Description | Date | By | Appr. |
|----|-------------|------|----|-------|
| A | | | | |



Dimensions in mm [inches]

| | |
|---------------|-----------------|
| Material: ABS | Color: RAL 7035 |
|---------------|-----------------|

| | | | |
|-----------|----------|-------------------|---------|
| Supplier: | Tool No: | Weight [kg]: 0.92 | Volume: |
|-----------|----------|-------------------|---------|



SABP132513G

| | | |
|-------|---------|-----------|
| Scale | Date | 8.12.2016 |
| 1:3 | By | KA |
| - | Checked | |
| - | Ctrl | |

| | |
|-----------|-------------|
| Replaces: | |
| Replaced: | |
| Drw No: | - A |
| Ref: | Cubo S |
| Code: | SABP132513G |
| Sheet No: | |

model **SABP132513G** PART
drawing **CUBOS132513** DRAWING