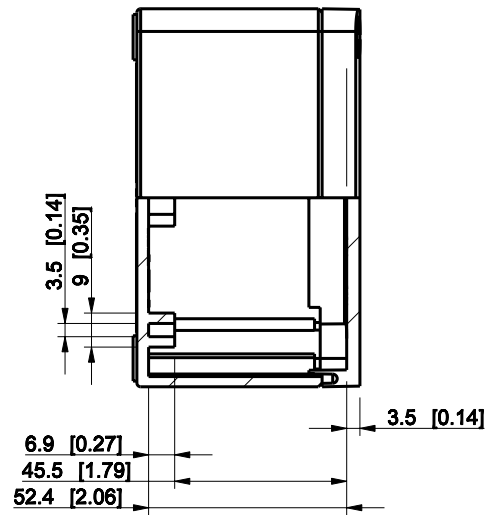
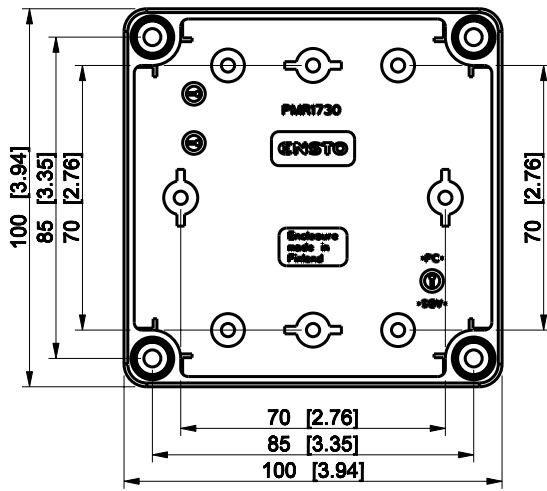
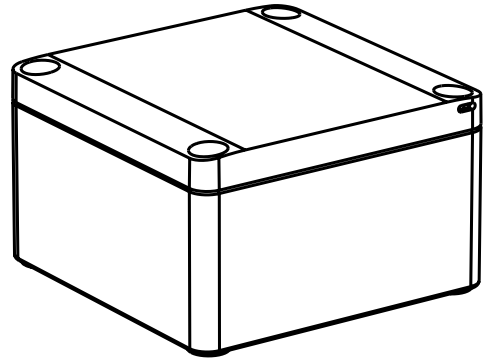
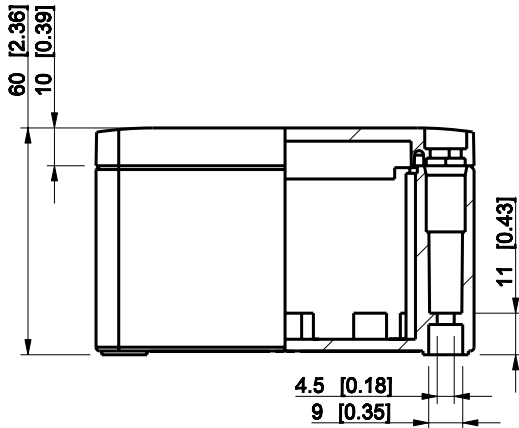


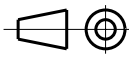
ID	Description	Date	By	Appr.
A				



Dimensions in mm [inches]

Material: Polycarbonate, fiberglass-reinforced	Color: RAL 7035
------------------------------------------------	-----------------

Supplier: ENSTO	Tool No:	Weight [kg]: 0.17	Volume:
-----------------	----------	-------------------	---------



SPCP101006G

Scale	Date	04.12.08
1:2	By	PKos
-	Checked	
-	Ctrl	

Replaces:	
Replaced:	
Drw No:	- A
Ref:	Cubo S
Code:	SPCP101006G
Sheet No:	

model SPCP101006G PART
drawing CUBOS_3.DRAWING