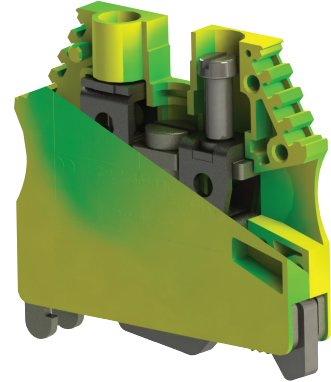
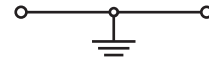


# ERPE6/10 - Screw Clamp Terminals

ERPE (Earth Terminals) Series - 10mm<sup>2</sup>



**Dimensions & Weight**

Width	8.00mm
Height (MR35x7.5)	41.00mm
Length	42.00mm
Net Weight	23g

Electrical Ratings	Voltage V~	Current A	Cross-Section
UL	V~	A	AWG 16-8
IEC	V~	A	0.5-10mm <sup>2</sup>
IECEX	630V	A	0.5-10mm <sup>2</sup>

**Flammability Rating**

UL94	V2
------	----

**Temperature**

Operating Temperature	-55°C to +120°C
-----------------------	-----------------

**Connection Data**

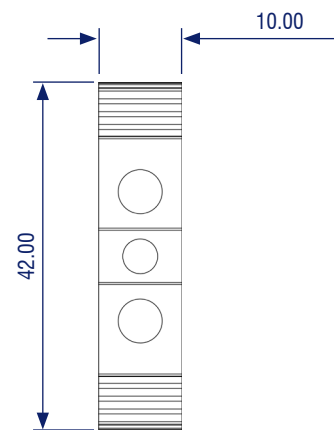
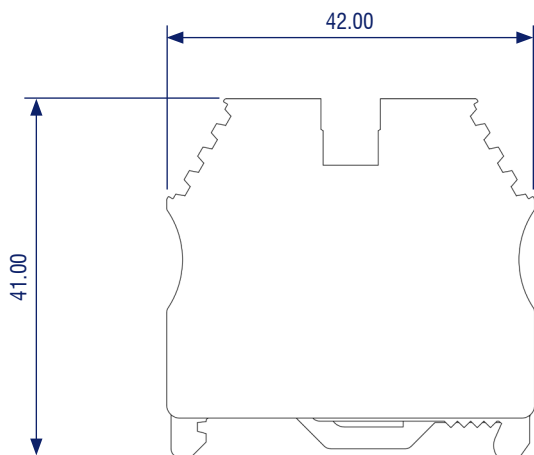
Conductor Cross-Section Solid (min-max)	0.5-16mm <sup>2</sup>
Conductor Cross-Section Stranded (min-max)	0.5-16mm <sup>2</sup>
Conductor Cross-Section Stranded with Ferrules (min-max)	0.5-10mm <sup>2</sup>
2 Conductors with same Cross-Section Stranded, Twin Ferrules with plastic sleeve (min-max)	0.5-6mm <sup>2</sup>
AWG Conductor	AWG 20-6
Insulation Stripping Length (min-max)	10-12mm
Connection in Acc. with Standard	IEC 60947-7-1 / 60947-7-2
Torque (min-max)	1.2-1.8Nm
Rail Tightening Torque (min-max)	0.8-1.0Nm

**Ordering Codes** *(please refer to IMO for availability)*

GREEN/YELLOW	ERPE6/10
--------------	----------

**Pack Size**

Quantity	25 Pcs
----------	--------



NOTE: Dimensions above are in mm