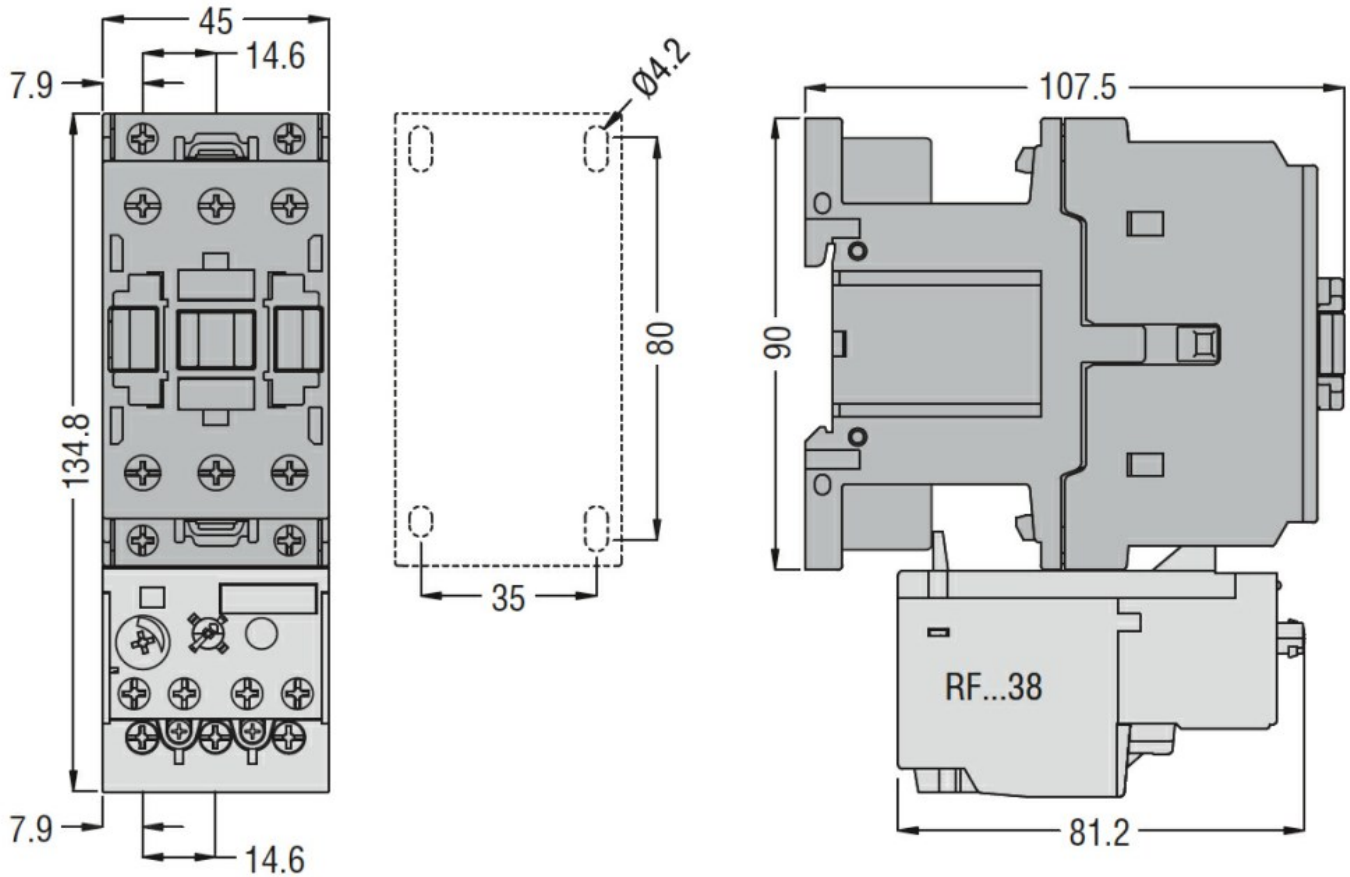




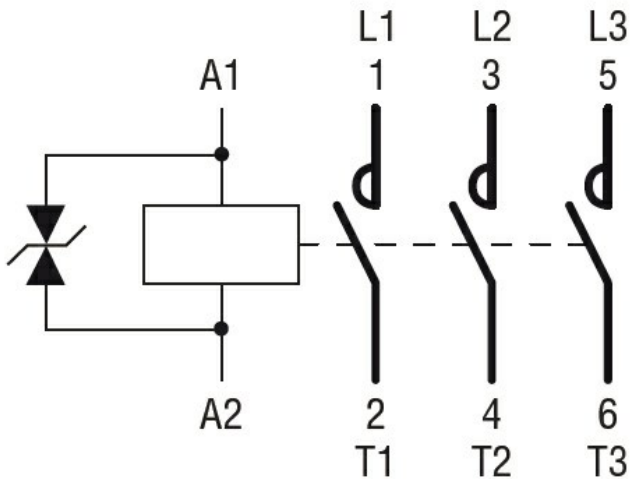
Product designation				Power contactor
Product type designation				BF32
<b>Contact characteristics</b>				
Number of poles	nr.			3
Rated insulation voltage $U_i$	V			690
Rated impulse withstand voltage $U_{imp}$	kV			6
Operating frequency	Operational frequency min	Hz	25	
	Operational frequency max	Hz	400	
	Conventional free air thermal current $I_{th}$	A	56	
Operating current	Operational current AC1 ( $\leq 40^\circ\text{C}$ )	A	56	
	Operational current AC3 ( $\leq 440\text{V} \leq 55^\circ\text{C}$ )	A	32	
	Operational current AC4 (400V)	A	13.5	
Rated operational power AC1 ( $T \leq 40^\circ\text{C}$ )	230V	kW	21	
	400V	kW	36	
	500V	kW	45	
	690V	kW	62	
Rated operational power AC3 ( $T \leq 55^\circ\text{C}$ )	230V	kW	8.8	
	400V	kW	16	
	415V	kW	17	
	440V	kW	17	
	500V	kW	20	
	690V	kW	22	
Short-time allowable current for 10s (IEC/EN60947-1)	A	320		
Protection fuse	gG (IEC)	A	63	
	aM (IEC)	A	32	
Making capacity (RMS value)	A	320		
Breaking capacity at voltage	Breaking capacity 440V	A	256	
	Breaking capacity 500V	A	240	
	Breaking capacity 690V	A	192	
Resistance per pole (average value)	$m\Omega$	2		
Power dissipation per pole (average value)	Power dissipation pole (average value) $I_{th}$	W	6	
	AC3	W	2	
Tightening torque for terminals	min	Nm	2.5	
	max	Nm	3	
	min	lbft	1.8	
	max	lbft	2.2	
Tightening torque for coil terminal				

		min	Nm	0.8
		max	Nm	1
		min	lbft	0.8
		max	lbft	0.74
<hr/>				
max number of wires simultaneously connectable			nr.	2
<hr/>				
Conductor section	AWG			
		min		14
		max		6
<hr/>				
Flexible w/o lug conductor section		min	mm <sup>2</sup>	2.5
		max	mm <sup>2</sup>	16
<hr/>				
Flexible c/w lug conductor section		min	mm <sup>2</sup>	1
		max	mm <sup>2</sup>	10
<hr/>				
Flexible with insulated spade lug conductor section		min	mm <sup>2</sup>	1
		max	mm <sup>2</sup>	10
<hr/>				
Power terminal protection according to IEC/EN 60529				IP20 when wired
<hr/>				
<b>Auxiliary contact characteristics</b>				
Operational current AC1 (≤40°C)			A	56
<hr/>				
Operating current DC13		110V	A	Screw / DIN rail 35mm
<hr/>				
<b>Ambient conditions</b>				
Temperature	Operating temperature			
		min	°C	-50
		max	°C	70
<hr/>				
	Storage temperature			
		min	°C	-60
		max	°C	80
<hr/>				
Max altitude			m	3000
<hr/>				
Operating position		normal allowable		Vertical plan ±30°
<hr/>				
Mounting				Screw / DIN rail 35mm
<hr/>				
Weight			g	0.568
<hr/>				
<b>Operations</b>				
Mechanical life			Cycles	20000000
<hr/>				
Electrical life			Cycles	1600000
<hr/>				
<b>Safety related data</b>				
Performance level B10d according to EN/ISO 13489-1		rated load mechanical load	Cicli	1600000
			Cicli	20000000
<hr/>				
Mirror contacts according to IEC/EN 60947-4-1				yes
<hr/>				
EMC compatibility				yes
<hr/>				
<b>DC coil operating</b>				
DC rated control voltage		min	V	6
<hr/>				
DC operating voltage	pick-up			

		min	%Us	0.8
		max	%Us	1.10
drop-out				
		min	%Us	0.1
		max	%Us	0.40
Average coil consumption $\leq 20^{\circ}\text{C}$				
		in-rush	W	2.4
		holding	W	2.4
<b>Max cycles frequency</b>				
Mechanical operations			Cycles/h	3600
<b>Operating times</b>				
Average time for Us control				
in AC				
	Closing NO	min	ms	8
		max	ms	24
	Opening NO	min	ms	5
		max	ms	15
in DC				
	Closing NO	min	ms	76
		max	ms	92
	Opening NO	min	ms	16
		max	ms	20
<b>UL technical data</b>				
Full-load current (FLA) for three-phase AC motor				
		at 480V	A	27
		at 600V	A	27
Yielded mechanical performance				
for single-phase AC motor				
		at 110/120V	hp	3
		at 230V	hp	7.5
for three-phase AC motor				
		at 200/208V	hp	10
		at 220/230V	hp	10
		at 460/480V	hp	20
		at 575/600V	hp	25
General USE				
Contactor				
		AC current	A	32
<b>Other features</b>				
Pollution degree				3
<b>Dimensions</b>				



### Wiring diagrams



### Certifications and compliance

#### Certifications

CSA C22.2 n° 60947-1
CSA C22.2 n° 60947-4-1
IEC/EN 60947-1
IEC/EN 60947-4-1
UL 60947-1
UL 60947-4-1

#### Compliance

CCC

---

cULus

---

EAC

ETIM 6 classification

EC000066 - Power contactor, AC switching