

OUTDOOR FILTER FAN

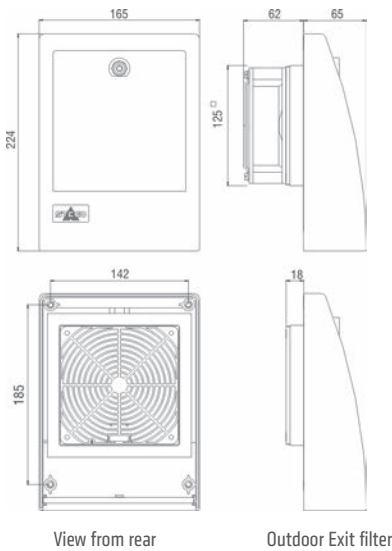
FF 018



- > Filter changeable from outside
- > Safe, lockable
- > Impact resistant
- > Weather proof and UV resistant

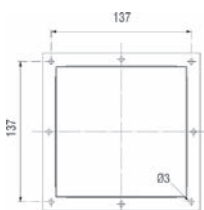
The outdoor filter fan can be used in outdoor enclosures where warm air has to be dissipated on account of increased thermic development. The plastic casing is weather proof and resistant to UV light. To clean and exchange the filter mat, it is only necessary to open the lockable door of the outdoor hood.

Outdoor Filter Fan



View from rear

Outdoor Exit filter



Drilling template for mounting frame



TECHNICAL DATA

Axial fan, ball bearing	service life 50,000h at +25°C (+77°F), 65% RH fan body aluminium, rotor plastic
Connection	2 wires with pressure clamps 2.5mm ² , length 100mm
Casing (filter fan and exit filter)	plastic according to UL94 V-0, light grey
Hood (filter fan and exit filter)	plastic according to UL94 V-0, light grey; weather proof and UV light resistant according to UL746C (f1)
Mounting frame	with double-sided industrial adhesive band for fixing to the outside of enclosure; certain operating circumstances can make the additional use of screws necessary (see drilling template); a template for the enclosure cut-out is included in the delivery of the filter fans
Filter mat	M5 acc. to DIN EN 779, filtering degree 98%
Filter material	synthetic fibre with progressive construction, temperature resistant to +100°C, self-extinguishing class F1, moisture resistant to 100% RH
Operating/Storage temperature	-10 to +70°C (+14 to +158°F) / -40 to +70°C (-40 to +158°F)
Operating/Storage humidity	max. 90% RH (non-condensing)
Protection type/Protection class	IP55 / I (earthed)

Note: The hood is fixed permanently to the enclosure from the inside using screws. Filter mats can be easily changed from outside the enclosure through the lockable door in the hood.

OUTDOOR FILTER FAN FF 018

Art. No.	Operating voltage	Air volume, free flow	Current consumption	Power consumption	Average noise level (DIN EN ISO 4871)	Depth in enclosure	Enclosure cut-out	Weight (approx.)	Approvals		
01821.0-00	230VAC, 50Hz	20m ³ /h	100mA	15W	40dB (A)	62mm	125 x 125mm + 0.4	1.2kg	VDE	UL File No. E234324	EAC
01821.0-02	120VAC, 60Hz	23m ³ /h	180mA	15W	40dB (A)	62mm	125 x 125mm + 0.4	1.2kg	-	UL File No. E234324	EAC

EXIT FILTER EF 118

Art. No.	Depth in enclosure	Enclosure cut-out	Weight (approx.)	Filter mat	Protection type
11821.0-00	16mm	125 x 125mm + 0.4	0.6kg	M5 acc. to DIN EN 779, filtering degree 98%	IP55

FILTER MAT FFM 086

Filter mat	122 x 122mm
M5 (1 packing unit = 3 pcs.)	Art. No. 08607.0-00