

LMB Series - LED Pilot Lights

Featuring the latest optoelectronic technology, the LMB range of multi-chip LED pilot lights can be used in new installations, or a retrofit of an existing panel as they fit into a standard Ø22.5mm (7/8") hole. Besides having a bulb that outlasts a standard incandescent bulb type, LEDs are not affected by vibration or heat, making them suitable for almost every application.

Key Features

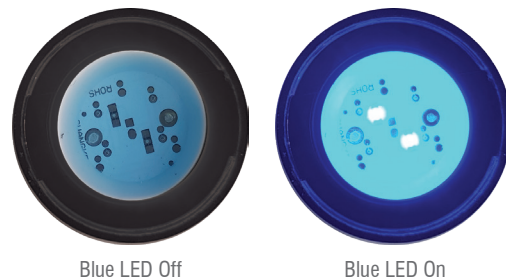
- Multi-chip LED integrated onto light surface
- IP65 rated protection
- Single hole fixing Ø22.5mm
- Bright & colour intensive light distribution
- Temperature range: -25°C to +55°C
- cURus & CE approved
- MTBF > 30,000 hours



Options & Ordering Codes

LMB		-	24	-	RED
Series	LED Pilot Light		LMB		
Supply Voltage	12VAC/DC		12		RED
	24VAC/DC		24		GREEN
	110VAC		110		YELLOW
	230VAC		230		WHITE
					BLUE

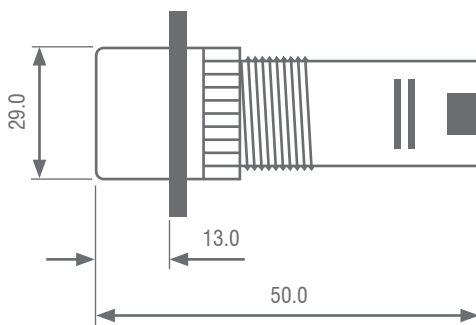
LMB Surface Mount LED Array



Blue LED Off

Blue LED On

Dimensions (mm)



Connection Terminals

