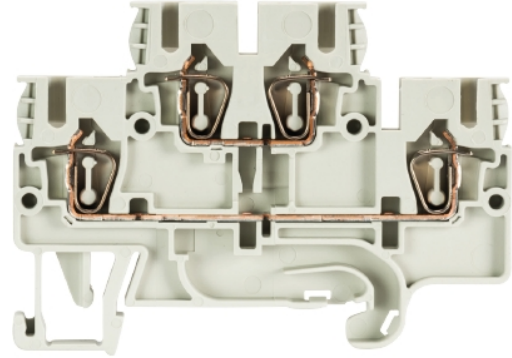


Data sheet

Art.No.: 56.703.4755.0

multi-tier terminal WKFN 2,5 E-K

Duo Feed-through terminal with tension spring connection for mounting on TS 35,
nominal cross section: 2.5 mm², width: 5 mm, color: grey



| | |
|------------|---------------|
| Art.No. | 56.703.4755.0 |
| EAN | 4049088356315 |
| Order Unit | 100 |

Technical data

general

| | |
|--|-----------------------------------|
| nominal cross section | 2.5 mm ² |
| color | grey |
| number of levels | 2 |
| number of clamp positions per level | 2 |
| width/grid dimension | 5 mm |
| insulating housing | PA666 |
| flammability class of insulation material acc. with UL94 | V0 |
| mounting method | DIN rail (top hat rail) 35/7.5 mm |

technical data

| | |
|-----------------------------|---------------|
| rated current | 24 A |
| rated voltage | 500 V |
| rated impulse voltage | 6 kV |
| pollution degree | 3 |
| closing plate required | yes |
| type of insulation material | thermoplastic |
| length | 68.4 mm |
| height | 48.6 mm |

connection data

| | |
|-----------------------------|-------------------------|
| connection type 1 | spring clamp connection |
| connection type 2 | spring clamp connection |
| minimum cross section solid | 0.13 mm ² |
| maximum cross section solid | 4 mm ² |

| | |
|-------------------------------------|----------------------|
| minimum cross section fine stranded | 0.13 mm ² |
| maximum cross section fine stranded | 2.5 mm ² |
| wire strip length | 11 mm |

classification

| | |
|------------|----------|
| ECLASS 11 | |
| ECLASS 8.1 | 27141120 |
| ETIM 9.0 | EC000897 |
| ETIM 8.0 | EC000897 |
| ETIM 7.0 | EC000897 |
| ETIM 6.0 | EC000897 |
| ETIM 5.0 | EC000897 |
| ETIM 4.0 | EC000897 |
| ETIM 3.0 | EC000897 |

product compliance

| | |
|------------------------------|-----------|
| ROHS conformity status | compliant |
| REACH-SVHC conformity status | compliant |

Accessories

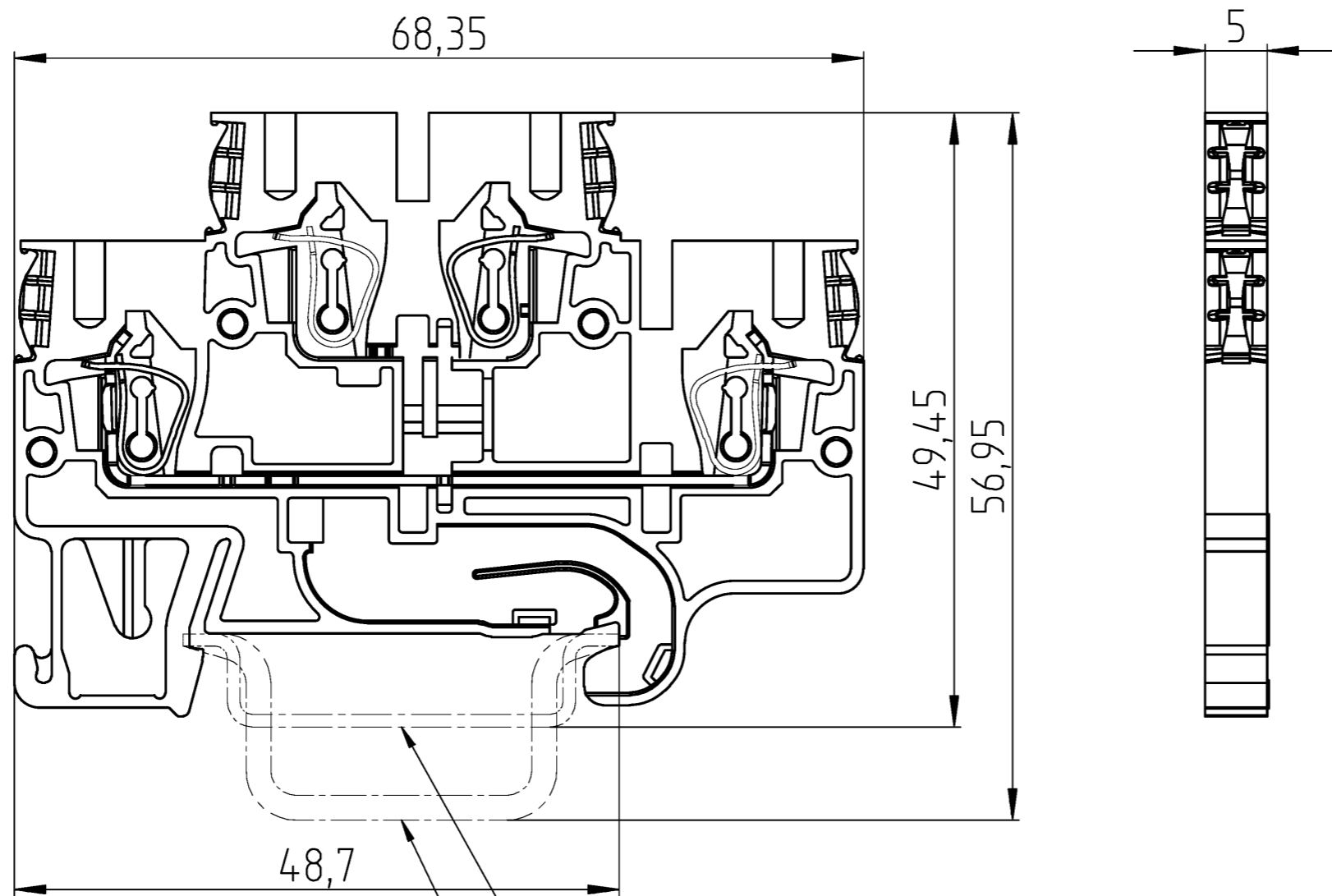
| Art.No.: | Article/type description: | Description: |
|---------------|--|---|
| 07.313.5155.0 | end plate APFN 2,5 E-K | End plate for DIN rail terminal blocks type WKFN 2,5 E-K..., color: grey |
| Z7.280.6227.0 | jumper bar IVBWKF 2,5- 2 | Cross connector, insulated for DIN rail terminal blocks type WKF..., 2 - pole |
| Z7.280.6327.0 | jumper bar IVBWKF 2,5- 3 | Cross connector, insulated for DIN rail terminal blocks type WKF..., 3 - pole |
| Z7.280.6427.0 | jumper bar IVBWKF 2,5- 4 | Cross connector, insulated for DIN rail terminal blocks type WKF..., 4 - pole |
| Z7.280.6527.0 | jumper bar IVBWKF 2,5- 5 | Cross connector, insulated for DIN rail terminal blocks type WKF..., 5 - pole |
| Z7.280.6627.0 | jumper bar IVBWKF 2,5- 6 | Cross connector, insulated for DIN rail terminal blocks type WKF..., 6 - pole |
| Z7.280.6727.0 | jumper bar IVBWKF 2,5- 7 | Cross connector, insulated for DIN rail terminal blocks type WKF..., 7 - pole |
| Z7.280.6827.0 | jumper bar IVBWKF 2,5- 8 | Cross connector, insulated for DIN rail terminal blocks type WKF..., 8 - pole |
| Z7.280.6927.0 | jumper bar IVBWKF 2,5- 9 | Cross connector, insulated for DIN rail terminal blocks type WKF..., 9 - pole |
| Z7.280.7027.0 | jumper bar IVBWKF 2,5- 10 | Cross connector, insulated for DIN rail terminal blocks type WKF..., 10 - pole |
| Z7.280.7127.0 | jumper bar IVBWKF 2,5- 11 | Cross connector, insulated for DIN rail terminal blocks type WKF..., 11 - pole |
| Z7.280.7227.0 | jumper bar IVBWKF 2,5- 12 | Cross connector, insulated for DIN rail terminal blocks type WKF..., 12 - pole |
| Z7.280.8027.0 | jumper bar IVBWKF 2,5- 20 | Cross connector, insulated for DIN rail terminal blocks type WKF..., 20 - pole |
| 04.242.5053.0 | marking tag strips 9705 A / 5 / 10 | Marking tag strips for DIN rail terminal blocks type 9700 A / 5..., 10 tags per strip, color: white, unmarked, markable with Wieplot plotter-system |
| 98.300.1000.0 | mounting rail TS 35x7,5 PERF 15mm - l:2000mm | Mounting rail TS 35, slotted, size 7,5 mm, length 2 m, material steel. galv. zinc-plated and passivated |

A
 Weitergabe sowie Vervielfältigung dieses Dokuments, Verwertung und Mitteilung seines Inhalts sind verboten, soweit nicht ausdrücklich gestattet.
 The reproduction, distribution and utilization of this document as well as the communication of its contents to others without express authorization is prohibited.

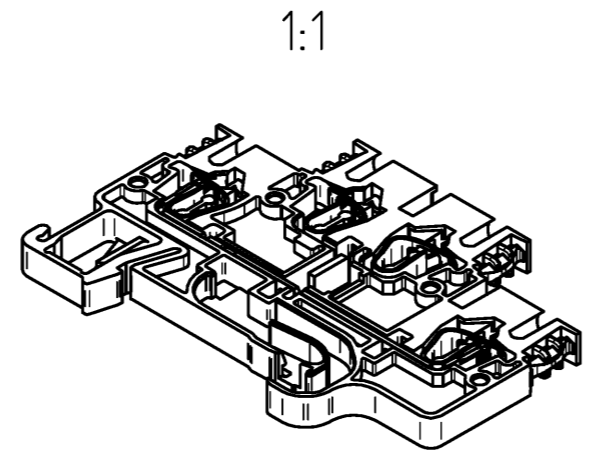
B
 These dimensions will be especially checked at delivery
 Only inspection dimensions
 With /E marked dimensions are only valid for internal use

C
 Diese Maße werden bei Abnahme besonders geprüft
 Ausschließlich Prüfmaße
 Mit /E gekennzeichnete Maße sind nur für interne Zwecke gültig

F



Hutschiene/mounting rail EN 60715-35x7,5
 Hutschiene/mounting rail EN 60715-35x15



| | | |
|--------------------------|-----------------|-----------------|
| Bestell-Nr. order no. | Farbe colour | Type type |
| 56.703.4755.0 | grau / grey | WKFN 2,5 E-K |
| 56.703.4755.6 | blau / blue | WKFN 2,5 E-K BL |

Weitere Daten siehe KATALOG oder eKATALOG.
 Additional data see CATALOG or eCATALOG.

www.wieland-electric.com
eshop.wieland-electric.com

Tolerierung Size ISO 14405 © / Tolerance system Size ISO 14405 ©.
 (This ISO-standard describes the envelope principle. According to the envelope principle the deviations of form and parallelism are limited by the size tolerances).

ja/yes Stoffverbots- und Deklarationsliste nach WN 5020.010 ist einzuhalten.
 Conformity with Wieland document WN 5020.010 e (list of prohibited / declarable hazardous substances) to be declared!

Freitoleranz nach General tolerance CAD - Zeichnung, keine manuellen Änderungen CAD - drawing, no manual modifications allowed 1 Verwendung: First Use: Blatt: 1 von 1 Sheet: of 1

| | | | | |
|--|-------------------------------|---------------------|--|-------|
| Werkstoff / Material | Tag/Date | Name | Zeichnung Nr. / Drawing No. | Index |
| gezeichnet/drawn | 14.10.2020 | Duetsch T. | | |
| Maßstab / Scale | geprüft/checked | | T 56.703.4755.0 01K | |
| 2:1 | Normgepr. / Stand. check | | | |
| Maße in mm / Dimensions are in mm | | | | |
| Vol. | mm ³ Dfl./Srf. | mm ² | Ersatz für / Replacement for: | |
| wieland www.wieland-electric.com | | Type WKFN | Benennung/Title ETAGENKLEMME Federkraftanschluss MULTI-TIER TERMINAL spring clamp connection | |
| Index | Datum / Blatt Date / Sheet | | | |
| Änderung / Revision | | | | |