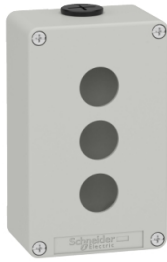


Product datasheet

Specifications



Harmony XAP, XB2 SL, Empty control station, zinc alloy, grey, M20, 3 cut-outs 22mm, 80 x 130 x 51,5, UL cULus

XAPD2203

EAN Code: 3389110001075

Main

Range of product	Harmony XAP
Product or component type	Die-cast empty control station
Device short name	XAPD
Product destination	For Ø 22 mm control and signalling units
Product front plate size	80 x 130 mm
Usable depth	49 mm
Number of cut-out	3 cut-outs
Colour of base of enclosure	Grey (RAL 7035)
Colour of cover	Grey (RAL 7035)
Material	Die cast zinc
Sale per indivisible quantity	1
IP degree of protection	IP65 conforming to EN/IEC 60529 and EN/IEC 60947-5-1 IP66 conforming to EN/IEC 60529 and EN/IEC 60947-5-1 IP69 conforming to EN/IEC 60529 and EN/IEC 60947-5-1

Complementary

Number of vertical rows	1
Number of horizontal rows	3
cut-out dimensions	Ø 22 mm
Control station type	Metal
Cable entry	2 x cable gland conforming to ISO
Thread type	M20 x 1.5
CAD overall width	80 mm
CAD overall height	130 mm
CAD overall depth	51.5 mm
Net weight	0.61 kg

Environment

Protective treatment	TC
Ambient air temperature for storage	-40...70 °C
Ambient air temperature for operation	-25...70 °C
Electrical shock protection class	Class I conforming to IEC 61140

Degree of protection	UL type 4 conforming to UL 50 E UL type 4X conforming to UL 50 E
IK degree of protection	IK07 conforming to IEC 62262
Resistance to chemical agents	Special treatment can be obtained on request
Product certifications	UL cULus EAC

Packing Units

Unit Type of Package 1	PCE
Number of Units in Package 1	1
Package 1 Height	9.700 cm
Package 1 Width	8.900 cm
Package 1 Length	15.600 cm
Package 1 Weight	715.000 g
Unit Type of Package 2	S03
Number of Units in Package 2	12
Package 2 Height	30.000 cm
Package 2 Width	30.000 cm
Package 2 Length	40.000 cm
Package 2 Weight	8.985 kg

Contractual warranty

Warranty	18 months
-----------------	-----------

Sustainability

Green Premium™ label is Schneider Electric's commitment to delivering products with best-in-class environmental performance. Green Premium promises compliance with the latest regulations, transparency on environmental impacts, as well as circular and low-CO₂ products.

Guide to assessing product sustainability is a white paper that clarifies global eco-label standards and how to interpret environmental declarations.

[Learn more about Green Premium >](#)

[Guide to assess a product's sustainability >](#)



Transparency RoHS/REACH

Well-being performance

✓ Reach Free Of Svhc

✓ Toxic Heavy Metal Free

✓ Mercury Free

✓ Rohs Exemption Information Yes

Certifications & Standards

Reach Regulation [REACH Declaration](#)

Eu Rohs Directive Pro-active compliance (Product out of EU RoHS legal scope)
[EU RoHS Declaration](#)

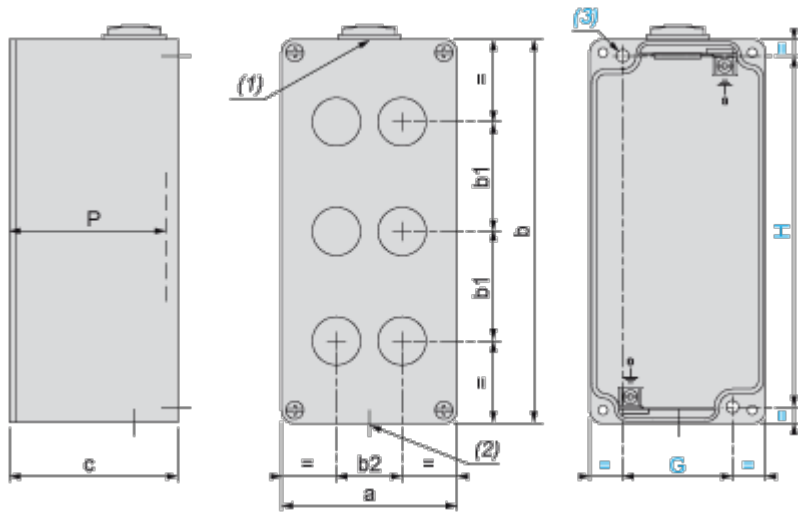
China Rohs Regulation [China RoHS declaration](#)

Environmental Disclosure [Product Environmental Profile](#)

Circularity Profile No need of specific recycling operations

Dimensions Drawings

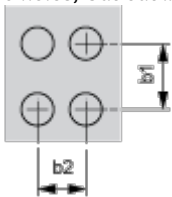
Dimensions and Fixing



- (1): 1 hole, with blanking plug (protrusion 6 mm/0.24 in.), for cable gland ISO M20 x 1.5
 - (2): 1 hole, without blanking plug, for cable gland ISO M20 x 1.5
 - (3): 2 x Ø 5.6 mm/0.22 in. holes, depth 19 mm/0.75 in.
- P: Usable depth

a		b		c		G		H		P	
mm	in.	mm	in.	mm	in.	mm	in.	mm	in.	mm	in.
80	3.15	130	5.12	51.5	2.03	50	1.97	115	4.56	49	1.93

3 holes, Cut-out interaxis 22.5 mm ± 0.2 mm / 0.885 in. ± 0.0078 in. dimensions (vertical mounting)



- b1 Vertical interaxis: 30 mm/1.18 in.
- b2 Horizontal interaxis: in center of the box