

## Data sheet

Commercial Art.No.: 46.052.4554.1

connector RST16I5/4S S1 ZT6 SW

RST® MINI connector, straight, number of poles 4, male, connection type screw connection, rated voltage 250 V / 400 V, rated current 16 A, cable diameter 7.1 - 13 mm, color of coding/ contact carrier black



Commercial Art.No.	46.052.4554.1
EAN	4049088290077
Order Unit	1

certificates / approvals



LR RINA



## Technical data

### general

rated current	16 A
rated voltage	250 V / 400 V
rated impulse voltage	4 kV
strain relief	yes
pollution degree	3
lockable	self-locking (unlocking by hand)
color of coding/ contact carrier	black
marking of poles	1, 2, 3, PE
color of housing inclusive strain relief	black
RAL-Nummer Codierung/Kontakteinsatz	9005

### connection data

cable diameter max.	13 mm
cable diameter min.	7.1 mm
connection cross section solid mm <sup>2</sup> max.	2.5 mm <sup>2</sup>
connection cross section solid mm <sup>2</sup> min.	0.25 mm <sup>2</sup>
connection cross section fine stranded mm <sup>2</sup> max.	2.5 mm <sup>2</sup>
connection cross section fine stranded mm <sup>2</sup> min.	0.25 mm <sup>2</sup>
terminations per pole	1
sheath strip length	25 mm
wire strip length	8 mm

### technical data UL

rated voltage UL	600 V
rated current UL	16 A
connection cross section solid AWG min.	22 AWG
connection cross section solid AWG max.	14 AWG
connection cross section stranded AWG min.	22 AWG
connection cross section stranded AWG max.	14 AWG
degree of protection (NEMA)	4, 4X, 6, 6P
UL classification housing	UL-V2
UL classification strain relief	UL-V0

**model**

model	male
connection type	screw connection
degree of protection (IP)	IP66/68 (3m;2h) /IP69

**material**

housing material	polyamide
halogen free	yes
contact material	CuZn
fire load	0.147 kWh/St
insulation components continuous temperature	100 °C
surface finish	silver-plated

**dimensions**

length	74 mm
width	24 mm
height	24 mm

**note**

note	RST® terminals with screw clamping allow the connection of conductors without special preparation (without ferrules) according to EN 60999-1.
------	---

**classification**

ECLASS 11	
ECLASS 8.1	27440605
ETIM 9.0	EC002560
ETIM 8.0	EC002560
ETIM 7.0	EC002560
ETIM 6.0	EC002560
ETIM 5.0	EC002560
ETIM 4.0	EC002560

**product compliance**

ROHS conformity status	compliant/exempted
ROHS exceptions	III-6(c)
REACH-SVHC conformity status	Duty-To-Declare
REACH-SVHC substances	Lead

REACH-SVHC CAS numbers	7439-92-1
------------------------	-----------

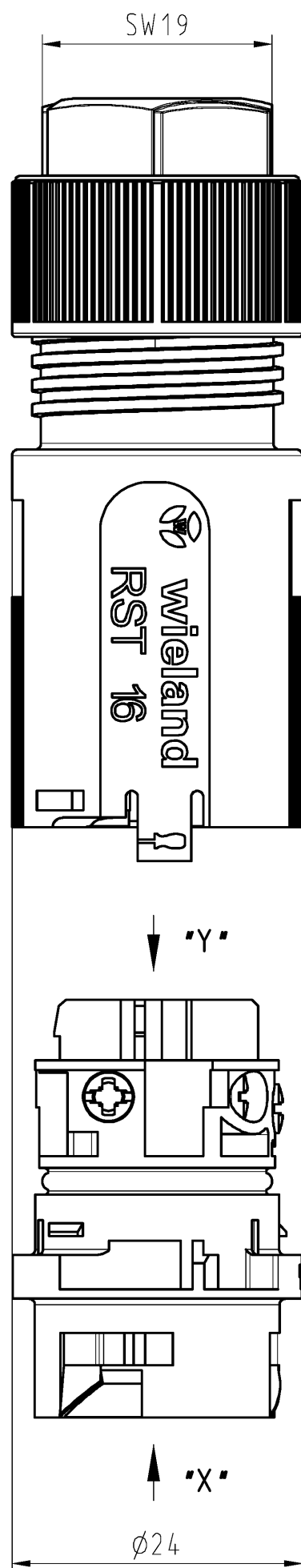
## Accessories

Commercial Art.No.:	Article-type description:	Description:
06.563.9253.1	cover for male connector SW	RST16i5/4 cover piece, for covering unused male connectors, color black
06.563.9353.1	cover for male connector SW	RST16i5/4 cover piece, for covering unused male connectors, with fastening belt, color black

## Fits with

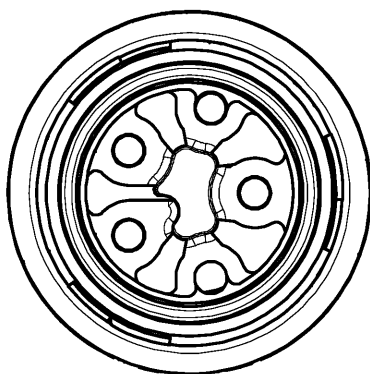
Commercial Art.No.:	Article-type description:	Description:
46.051.5054.1	device connector RST16i5/4S B1 M03 SW	RST® MINI device connector, standard, straight, M20.2, number of poles 4, model female, connection type screw connection, rated voltage 250 V / 400 V, rated current 16 A, color of coding/ contact carrier black
46.050.0154.1	distributor RST16i4B 3P1 F G V SW	RST® MINI distributor, parallel connection, with fastening option, number of poles 4, rated voltage 250 V / 400 V, rated current 16 A, number of inputs 1, number of outputs 3, color of coding/ contact carrier black
46.051.4554.1	connector RST16i5/4S B1 ZT6 SW	RST® MINI connector, straight, number of poles 4, female, connection type screw connection, rated voltage 250 V / 400 V, rated current 16 A, cable diameter 7.1 - 13 mm, color of coding/ contact carrier black
46.051.M054.1	device connector RST16i5/4 B D03H MSW	RST® MINI device connector, modular, straight, M20, number of poles 4, model female, connection type spring clamp connection, rated voltage 250 V / 400 V, rated current 16 A, color of coding/ contact carrier black
46.051.M0L1.1	device connector RST16i5/4 1 D03H MSW	RST® MINI device connector, modular, straight, M20, number of poles 4, model female, connection type spring clamp connection, rated voltage 250 V / 400 V, rated current 16 A, longitudinal sealing yes, color of coding/ contact carrier black
46.050.1254.1	distributor RST16i4V 2P1 TGVG SW	RST® MINI distributor, parallel connection, with fastening option to 06.562.5853.0 / 06.562.5853.1, number of poles 4, rated voltage 250 V / 400 V, rated current 16 A, number of inputs 1, number of outputs 2, color of coding/ contact carrier black

**Auslieferungszustand**  
*delivery condition*



These dimensions will be especially checked at delivery  
Only inspection dimensions  
With /E marked dimensions are only valid for internal use

Diese Maße werden bei Abnahme besonders geprüft  
Ausschließlich Prüfmaße  
Mit /E gekennzeichnete Maße sind nur für interne Zwecke gültig

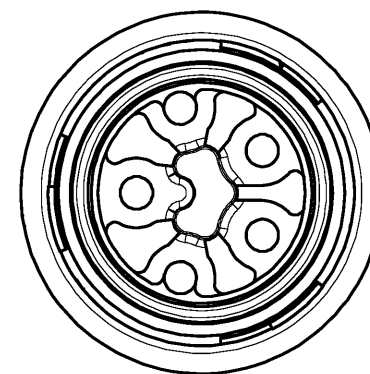
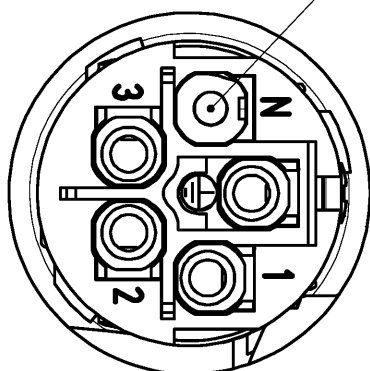


"X"

46.052.4554.0/.1

"Y"

Pol nicht montiert  
*Pole not mounted*

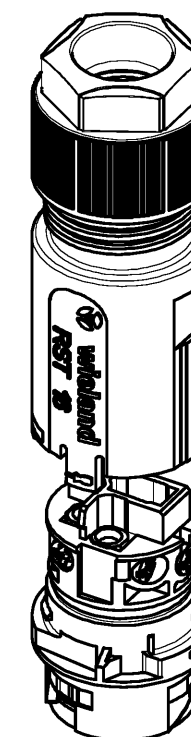
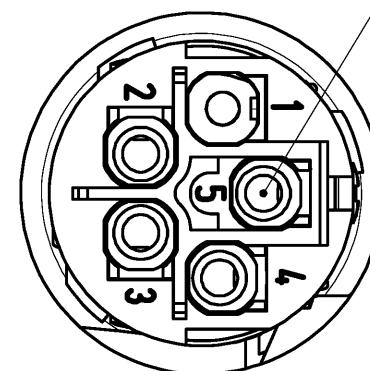


"X"

46.052.4551.4

"Y"

Pol nicht montiert  
*Pole not mounted*



1:1

Weitere Daten siehe Katalog  
*further data see catalog*

Teile-Nr. <i>part - no.</i>	Typ <i>type</i>	Farbe <i>colour</i>
46.052.4554.0	RST16I5/4S S1 ZT6 GL	lichtgrau/light grey RAL 7035
46.052.4554.1	RST16I5/4S S1 ZT6 SW	schwarz/black RAL 9005
46.052.4551.4	RST16I5/4S S1 ZT6S L BR	signalbraun/signal brown RAL 8002

Tolerierung Size ISO 14405(®)/Tolerance system Size ISO 14405(®).  
(This ISO-standard describes the envelope principle. According to the envelope principle the deviations of form and parallelism are limited by the size tolerances).

ja/yes  Stoffverbots- und Deklarationsliste nach WN 5020.010 ist einzuhalten.  
Conformity with Wieland document WN 5020.010 e (list of prohibited / declarable hazardous substances) to be declared!

Freitoleranz nach General tolerance	CAD - Zeichnung, keine manuellen Änderungen CAD - drawing, no manual modifications allowed	1.Verwendung: First Use: -	Blatt: 1 von 1 Sheet: of
Werkstoff/Material	2015 Tag/Date Name	Zeichnung Nr./Drawing No.	
gezeichnet drawn	18.11. Treschan	T 46.052.4554.0 01K	
geprüft checked	-	Maße in mm/Dimensions are in mm	
Normgepr. Stand. check	-	Ersatz für/Replacement for: -	
Index	Datum / Blatt Date / Sheet	Type	Benennung/Title
Änderung/Revision	www.wieland-electric.com	RST16...	ST_MIT_ZUGENTL_FA_4P male with strain relief 4P RST

Weitergabe sowie Vervielfältigung dieses Dokuments, Verwertung und Mitteilung seines Inhalts sind verboten, soweit nicht ausdrücklich gestattet. Die Reproduktion, Distribution und Nutzung dieses Dokuments sowie die Kommunikation der Inhalte ist ohne schriftliche Genehmigung der Wieland Electric AG ist untersagt.