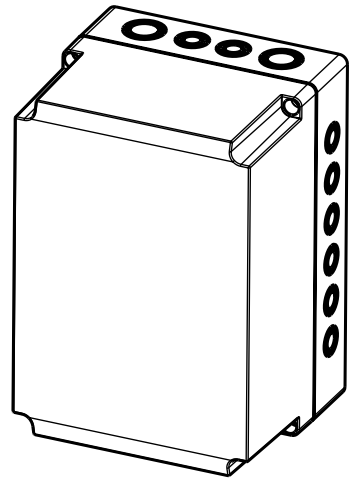
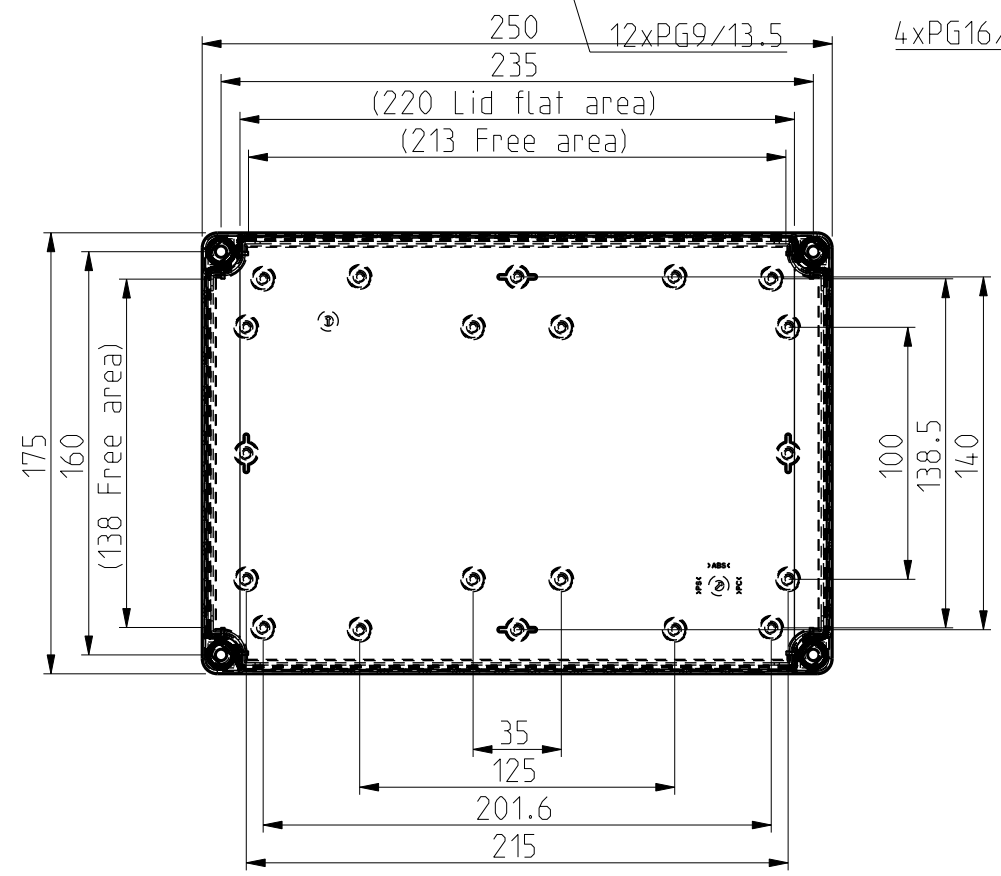
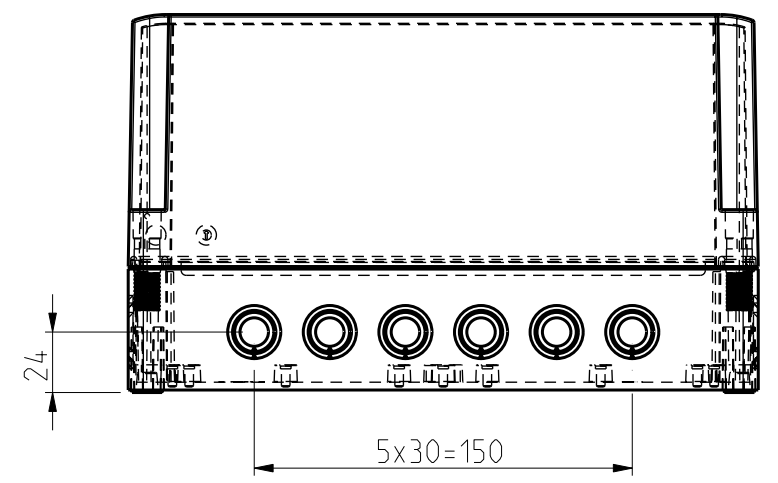
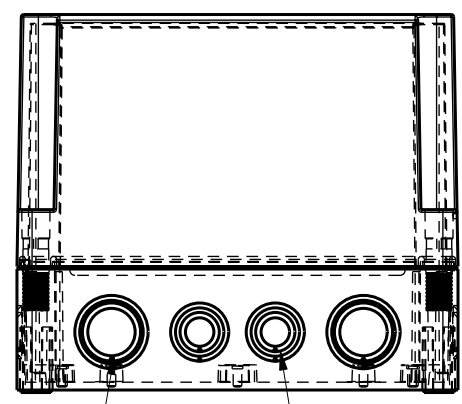
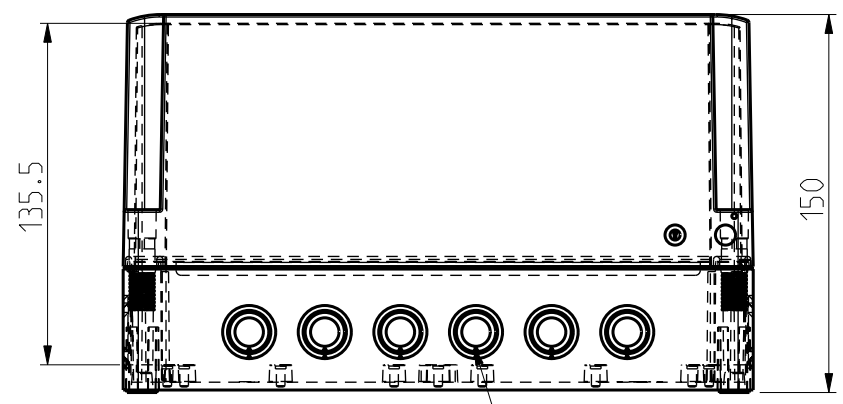
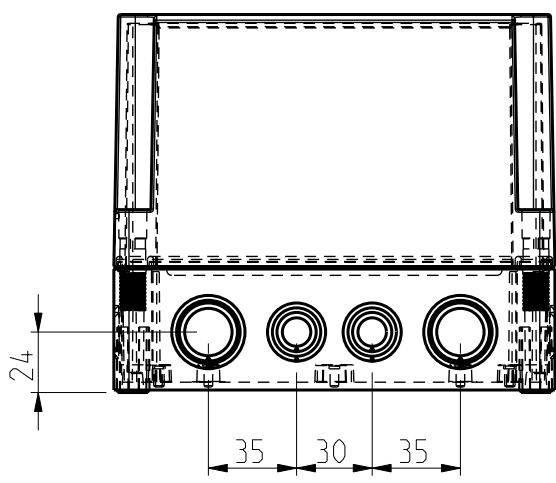
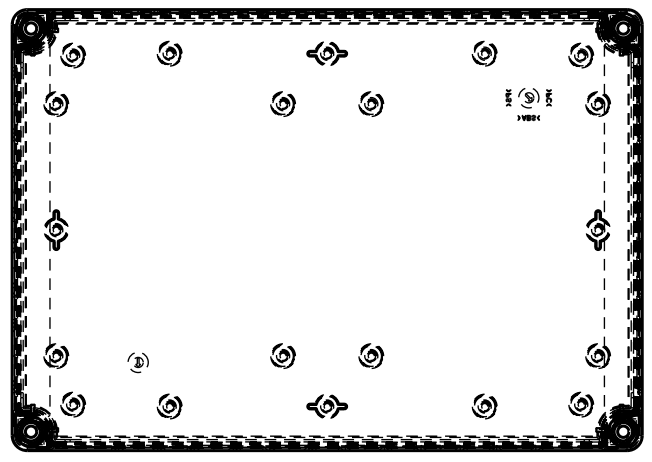


Tolerance ISO 2768-m	>0.5 =3 ±0.1	> =6 ±0.1	>6 =30 ±0.2	>30 =120 ±0.3	>120 =400 ±0.5	>400 =1000 ±0.8



1:5



ENSTO		
ENSTO CONTROL OY		
Scale	Date	28.08.03
1:3	By	MPL
-	Checked	-
-	Ctrl	-

CUBO S
SPCK 182515 G/T

Replays:	-
Replaced:	-
Drw No:	-
Ref:	-
Code:	-
Sheet No:	1 (1)