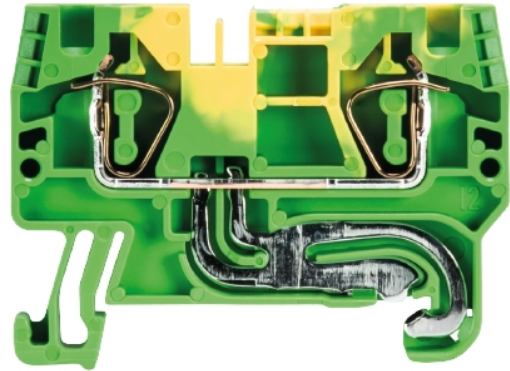


Data sheet

Commercial Art.No.: 56.704.9055.0

earth terminal WKFN 4 SL/35

Ground terminal with tension spring connection for mounting on TS 35, nominal cross section: 4 mm², width: 6 mm, color: Green-yellow



| | |
|--------------------|---------------|
| Commercial Art.No. | 56.704.9055.0 |
| EAN | 4015573767171 |
| Order Unit | 100 |

certificates / approvals



CAN-Ex



PTB



Technical data

general

| | |
|--|-----------------------------------|
| nominal cross section | 4 mm ² |
| color | green/yellow |
| number of levels | 1 |
| number of clamp positions per level | 2 |
| width/grid dimension | 6 mm |
| insulating housing | PA666 |
| flammability class of insulation material acc. with UL94 | V0 |
| explosion-tested version "Ex e" | yes |
| mounting method | DIN rail (top hat rail) 35/7.5 mm |
| terminal blocks for electrical installations | yes |

technical data

| | |
|-----------------------------|---------------|
| rated impulse voltage | 8 kV |
| pollution degree | 3 |
| closing plate required | yes |
| type of insulation material | thermoplastic |
| length | 51 mm |

connection data

| | |
|-----------------------------|-------------------------|
| connection type 1 | spring clamp connection |
| connection type 2 | spring clamp connection |
| minimum cross section solid | 0.13 mm ² |

| | |
|-------------------------------------|----------------------|
| maximum cross section solid | 6 mm ² |
| minimum cross section fine stranded | 0.13 mm ² |
| maximum cross section fine stranded | 4 mm ² |
| wire strip length | 11 mm |

technical data UL/CSA

| | |
|-------------------|-----------|
| cross section CSA | 24-10 AWG |
|-------------------|-----------|

technical data ATEX

| | |
|---|----------|
| cross section fine-stranded | 0,13 - 4 |
| connectable conductor cross section solid | 0,2 - 6 |

classification

| | |
|------------|----------|
| ECLASS 11 | |
| ECLASS 8.1 | 27141141 |
| ETIM 9.0 | EC000901 |
| ETIM 8.0 | EC000901 |
| ETIM 7.0 | EC000901 |
| ETIM 6.0 | EC000901 |
| ETIM 5.0 | EC000901 |
| ETIM 4.0 | EC000901 |
| ETIM 3.0 | EC000901 |

product compliance

| | |
|------------------------------|-----------|
| ROHS conformity status | compliant |
| REACH-SVHC conformity status | compliant |

Accessories

| Commercial Art.No.: | Article-type description: | Description: |
|---------------------|---------------------------|--|
| 07.312.9255.0 | end plate APFN 4/35 | End plate for DIN rail terminal blocks type WKFN 4..., color: grey |
| 07.312.9355.0 | partition TWFN 4/35 | Partition for DIN rail terminal blocks type WKFN 4..., color: grey |
| Z7.261.1227.0 | jumper bar IVB WKF 4 - 2 | Cross connector, insulated for DIN rail terminal blocks type WKF..., 2 - pole |
| Z7.261.1327.0 | jumper bar IVB WKF 4 - 3 | Cross connector, insulated for DIN rail terminal blocks type WKF..., 3 - pole |
| Z7.261.1427.0 | jumper bar IVB WKF 4 - 4 | Cross connector, insulated for DIN rail terminal blocks type WKF..., 4 - pole |
| Z7.261.1527.0 | jumper bar IVB WKF 4 - 5 | Cross connector, insulated for DIN rail terminal blocks type WKF..., 5 - pole |
| Z7.261.1627.0 | jumper bar IVB WKF 4 - 6 | Cross connector, insulated for DIN rail terminal blocks type WKF..., 6 - pole |
| Z7.261.1727.0 | jumper bar IVB WKF 4 - 7 | Cross connector, insulated for DIN rail terminal blocks type WKF..., 7 - pole |
| Z7.261.1827.0 | jumper bar IVB WKF 4 - 8 | Cross connector, insulated for DIN rail terminal blocks type WKF..., 8 - pole |
| Z7.261.1927.0 | jumper bar IVB WKF 4 - 9 | Cross connector, insulated for DIN rail terminal blocks type WKF..., 9 - pole |
| Z7.261.2027.0 | jumper bar IVB WKF 4 - 10 | Cross connector, insulated for DIN rail terminal blocks type WKF..., 10 - pole |

| | | |
|---------------|------------------------------------|---|
| 04.242.6053.0 | marking tag strips 9705 A / 6 / 10 | Marking tag strips for DIN rail terminal blocks type 9700 A / 6..., 10 tags per strip, color: white, unmarked, markable with Wieplot plotter-system |
|---------------|------------------------------------|---|



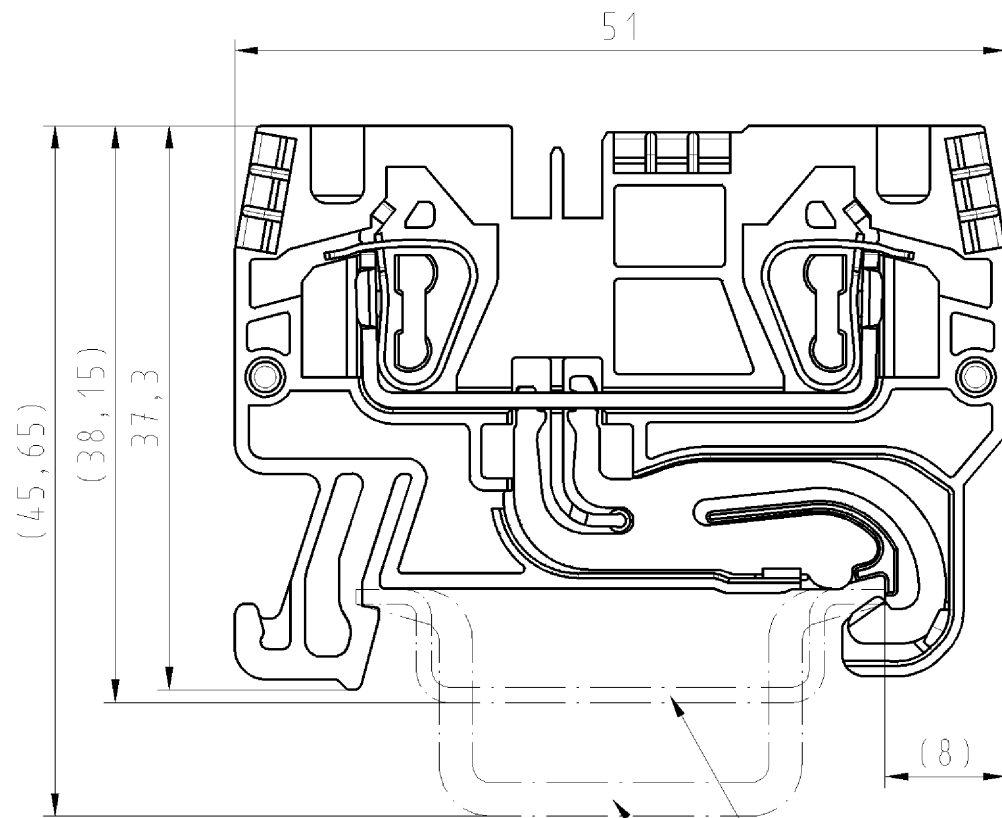
Diese Maße werden bei Abnahme besonders geprüft

Ausschließlich Prüfmaße

MIT /E gekennzeichnete Maße sind nur für interne Zwecke gültig

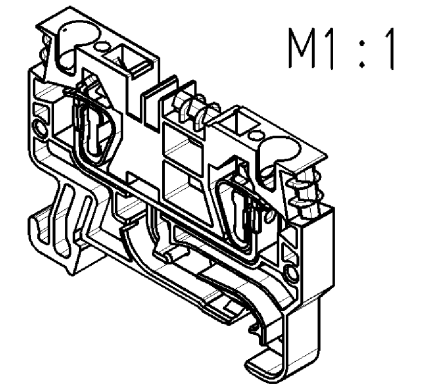
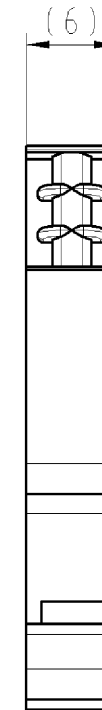
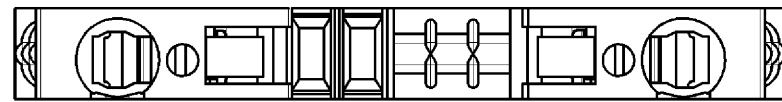



Weitere Daten siehe Katalog
further data see catalog



Hutschiene EN60715-35x7,5
mounting rail EN60715-35x7,5

Hutschiene EN60715-35x15
mounting rail EN60715-35x15



| | | | | | | | | |
|-----------------------|---------------|---|---|--|------------------|---|---|-------|
| Freitoleranz nach DIN | | CAD - Zeichnung, keine manuellen Änderungen | | | 1. Verwendung: - | | Bl.: 1 von 1 | |
| | / | Maßstab | Werkstoff und Oberfläche: Farbe: grün/gelb colour: green/yellow | 2004 | Tag | Name | Zeichnung Nr. 56.704.9055.0 01K | Index |
| | / | | | 2:1 | Entworfen | 15.03. | | |
| | / | | | Geprüft | - | - | Ersatz für: - | |
| | / | | | Normgepr. | - | - | | |
| | / | | |  wieland Elektrische Verbindungen | | Benennung | | |
| Buchstabe | Datum / Blatt | Typ WKFN 4 SL/35 | | | | SCHUTZLEITERKLEMME fosis Pro Federkraftausführung 4mm ² earth terminal with spring clamp connection | | |
| Änderung | | | | | | | | |

Weitergabe sowie Vervielfältigung dieses Dokuments, Verwertung und Mitteilung seines Inhalts sind verboten, soweit nicht ausdrücklich gestattet.
The reproduction, distribution and utilization of this document as well as the communication of its contents to others without express authorization is prohibited.

1
2
3
4
5
6
7
8
9
10
11
12
13
14
15
16
17
18
19
20
M1
M2
M3
L
G
1
1.1
2.1
1.1
A
567049055001K_4_CAD/020_Bauer 2004-03-15T14:45:29 1.000