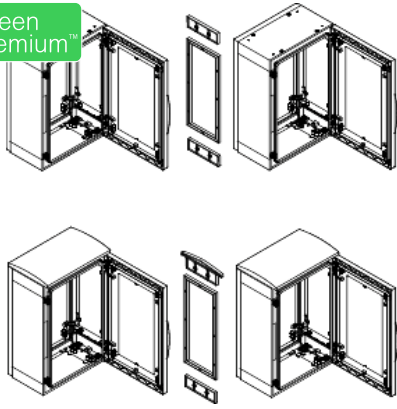


Product datasheet

Specifications



Horizontal coupling kit for PLA enclosure H1250xD420 mm - 15 mm - IP55 coupling

NSYMUPLA124G

Main

Range	Thalassa
Accessory / separate part category	Coupling accessory
Product or component type	Coupling frame
Anwendung	Multi-purpose
Mounting location	Side coupling of 2 enclosures
Mounting support	ZA plinth
Range compatibility	Thalassa PLA suitable enclosure Thalassa PHD suitable enclosure
Device composition	1 frame fixing elements

Complementary

Material	Frame: polyester
Height	1250 mm nominal:
Width	15 mm frame:
Depth	420 mm
IP degree of protection	IP55
Colour	Grey (RAL 7035)

Packing Units

Unit Type of Package 1	PCE
Number of Units in Package 1	1
Package 1 Weight	922 g
Package 1 Height	2.2 cm
Package 1 width	110.2 cm
Package 1 Length	34.1 cm

Offer Sustainability

Sustainable offer status	Green Premium product
REACH Regulation	REACH Declaration
EU RoHS Directive	Pro-active compliance (Product out of EU RoHS legal scope)

Mercury free	Yes
RoHS exemption information	Yes
China RoHS Regulation	China RoHS declaration Product out of China RoHS scope. Substance declaration for your information
Environmental Disclosure	Product Environmental Profile

Contractual warranty

Warranty	18 months
-----------------	-----------
